



ANDROID™ AUTOMOTIVE SIG

All-Hands – 30 June 2020

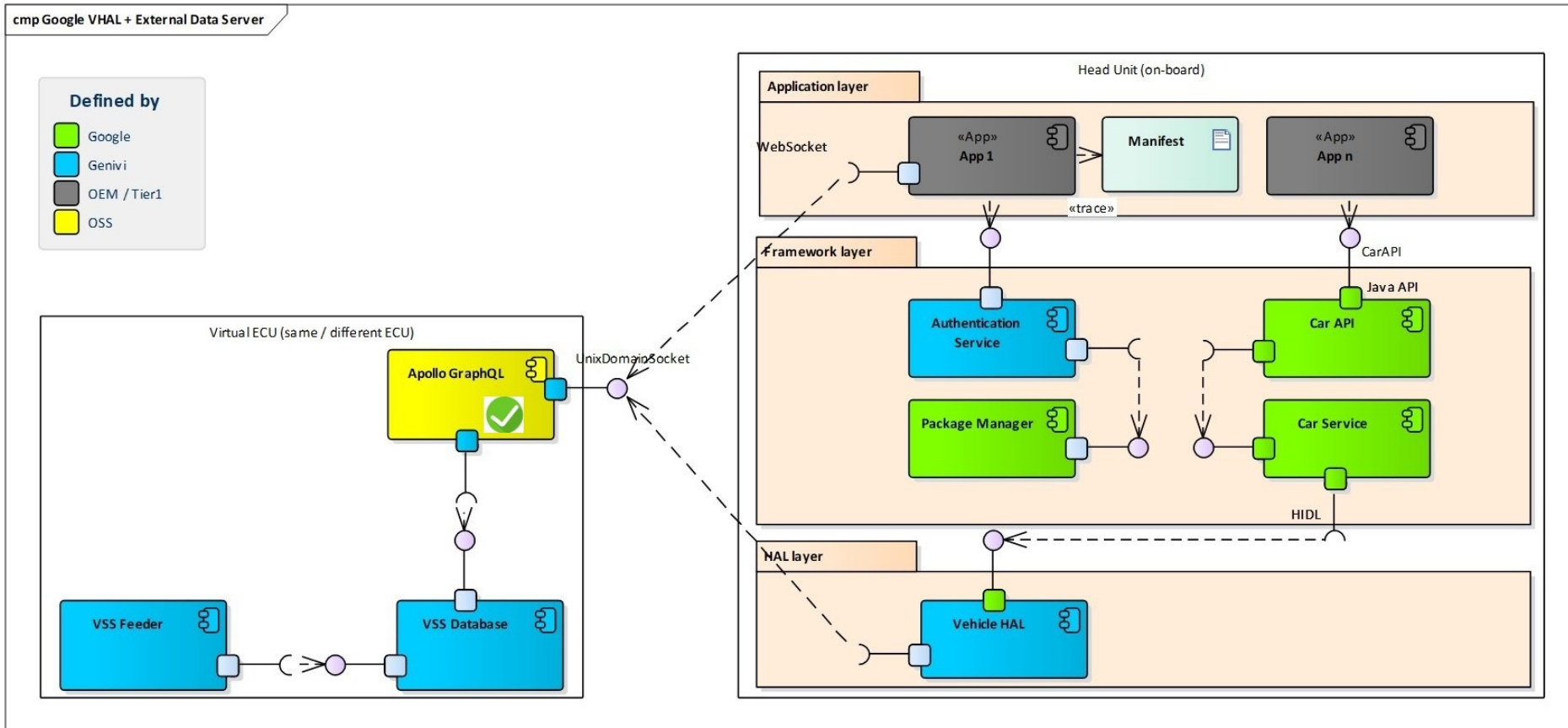




Vehicle Data APIs / VHAL Report

Android Automotive SIG - Vehicle Data APIs - VHAL - Report

External Data Server Proof-of-Concept



Work is moving to full Jira tracking, status is beginning to be reported in <https://at.projects.genivi.org/wiki/x/RgXYAg>

Android Automotive SIG - Vehicle Data APIs - VHAL – Report

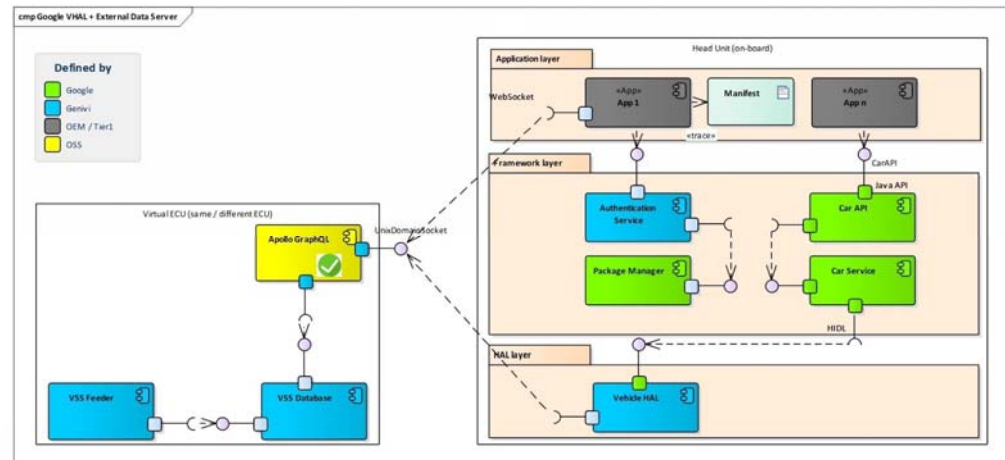


External Data Server Proof-of-Concept

- Implementation in-progress
 - Authentication Service implementation
 - Sources: https://github.com/stefanwsocki/aasig_dev_platform/tree/develop/vendor/genivi/modules/VssAuthenticationService
 - External Data Server implementation
 - **Data server**
 - Sources: <https://github.com/GENIVI/vss-graphql>
 - **VSS feeder**
 - Sources: <https://github.com/GENIVI/vss-feeder>

REMINDER

- Several low-hanging fruit activities identified
- call for volunteers !! Please contact the team



Android Automotive SIG - Vehicle Data APIs - VHAL – Report



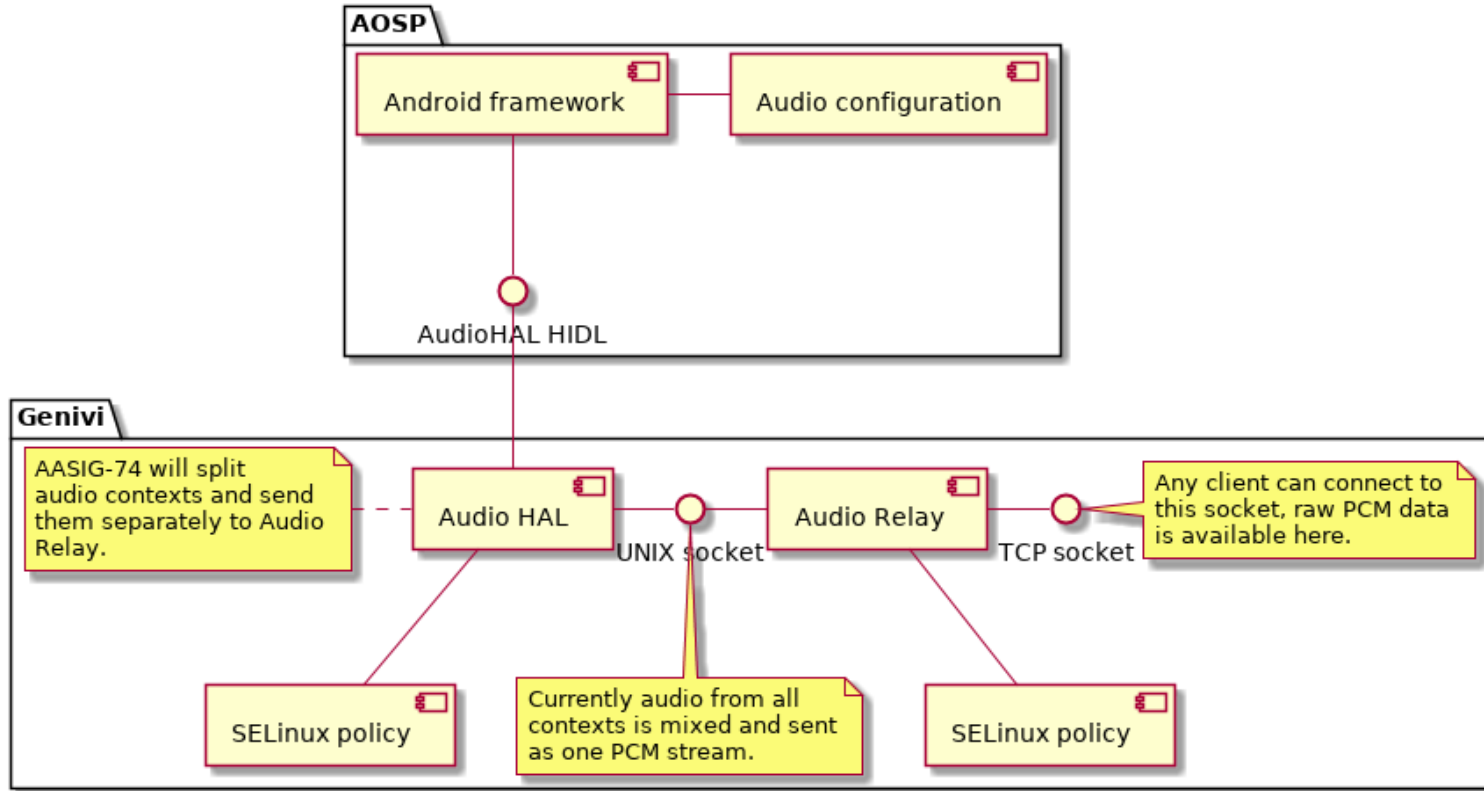
- Team participants: BMW, Daimler, TietoEVRY, Bosch, EPAM, Melco
 - Work would benefit from more participation in the implementation activities
 - e.g. the review of pull requests would be helpful
- Next milestone content (17 July)
 - GraphQL resolver update (DONE)
 - Sync with CCS project for using the same vehicle data (database) (DONE)
 - Addition of permission model to GraphQL
- Following milestone (Fall AMM – end of October) will address
 - Enriched feature content for the proof-of-concept
 - Discussion on how to affect the standard Android development
 - Possible topics
 - VSS as a complement to Google Vehicle Properties – “beyond GAS”
 - Access to vehicle data via GraphQL instead of Key Value pairs



Audio HAL Report

Android Automotive SIG – Audio HAL – Report

- Proof-of-concept – Components Overview



- PoC github repo : <https://github.com/GENIVI/android-external-audio-mixing>
- Work is moving to full Jira tracking, status is beginning to be reported in <https://at.projects.genivi.org/wiki/x/vwBsAw>

Android Automotive SIG – Audio HAL – Report



- Team participants: BMW, Mobis, TietoEVRY, EPAM, Bosch, Analog Devices
- Next milestone content (17 July)
 - running demo on real HW, i.e.
 - compiling android-external-audio-mixing repository for selected target HW (Renesas-H3)
 - define functions to be included (input streams) in later milestones
- Following milestone (Fall AMM – end of October) will address
 - Enriched feature content for the proof-of-concept
 - Discussion on how to affect the standard Android development

Other project updates & opportunities



- AASIG
 - Broadcast radio and Android
 - Location-based services and Android
 - How to plug alternate navigation engines
- Cloud & Connected Services – ISO-27008 compliant vehicle-to-cloud communication framework
 - Two proof-of-concept implementation threads
 - One with W3C enabling components: VISS (Gen 2 protocol)
 - One with Apache enabling components: Minifi, Spark
- Common Vehicle Interface Initiative
 - “much beyond GAS”
 - Vehicle Data Modeling (VSS) & Vehicle Service Catalog (VSC)
 - Automotive OEMs interest is rising



Common Vehicle Interface Initiative - OEM roundtable

- **What**
- CVII is a necessary and industry-wide conversation
- Software market place – interoperable components are as important as ever
- Investment into shared (Smart City) infrastructure for connectivity functions -> **requires standards**
- Service Oriented Architecture trend enables agility and flexibility, does not eliminate integration work
- This trend is visible but varying, not concrete yet
- OEMs, Tier1s and *non-automotive* data and cloud-oriented companies need interoperability standards
- **How**
- Panel discussion at the Virtual GENIVI Tech Summit in May, 2020
- Idea of **Common Data Model** is gathering momentum => GENIVI VSS fits the need
- VSS will be complemented by **Vehicle Service Catalog** => **VSC**
- Collaboration with **W3C** continues on protocol standards serving **VSS + VSC**
- CVII needs an industry-wide conversation which GENIVI is initiating with many players. Several consortia and standard bodies could be part of a shared movement (initiative).
- While VSS+VSC is already under way, the *bigger initiative scope* needs industry direction. This has the *potential* to be end-to-end (leveraging the data/interface model both inside and outside vehicles), but boundaries can be clarified.
- Next step : GENIVI is planning one of our traditional **OEM round table** to modify direction according to industry needs. To be followed by wider input that invites suppliers.

Thank you!

Visit GENIVI:

<http://www.genivi.org>

<http://projects.genivi.org>

Contact us:

help@genivi.org

