



- Open Source experts and consultants
- 15 years of experience
- Important contributions to:
 - Client-side web technologies: WebKit, Blink/Chromium, Servo
 - Graphics & Multimedia: Mesa, GStreamer
 - Compilers: V8, JavaScriptCore, SpiderMonkey, Guile
 - Software-defined networking: Snabb
 - ...



Black Chapter

Outline

- Open source browser technologies
- Wayland support in Chromium
- WPE: support for Wayland and other backends in WebKit
- Other options

Open source browser technologies

Open source web platforms

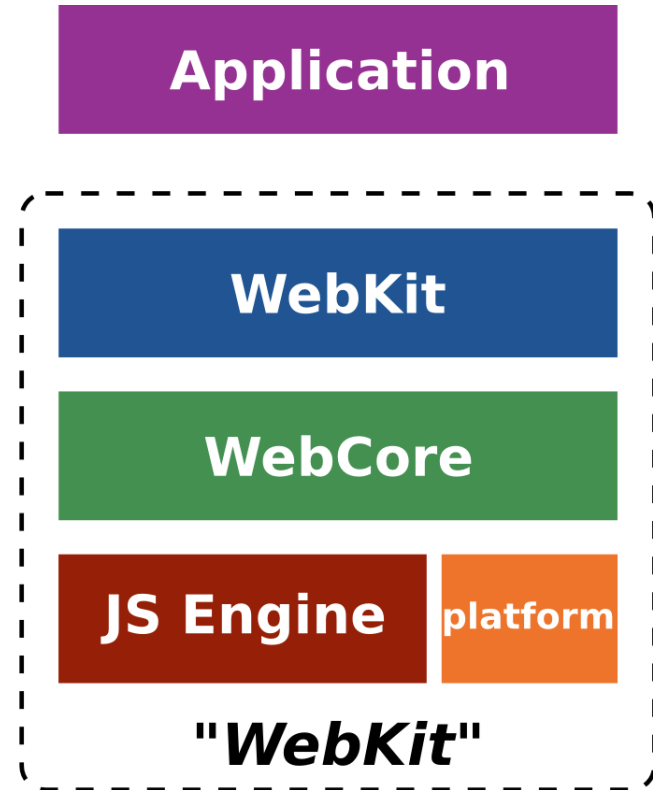
- Mozilla: Gecko and Servo
- WebKit family: OS X/iOS, WebKitGTK+, WPE
- Chromium and related projects

Mozilla

- Gecko engine
 - Powers the Firefox browser
 - Embedding not officially supported
- Servo: next generation engine
 - Designed for memory-safety, parallelism, embedding
 - New set of tools and technologies: Rust
 - Currently under heavy development

WebKit

- From a simplified point of view, WebKit is structured this way:
 - WebKit: thin layer to link against from the applications
 - WebCore: rendering, layout, network access, multimedia, accessibility support...
 - JS Engine: the JavaScript engine. JavaScriptCore by default.
 - platform: platform-specific hooks to implement generic algorithms



WebKit ports

- Each port is an engine implementation with a specific set of technologies
 - Platform bits: network, graphics, multimedia
 - Specific API
- Many ports have existed: OS X and iOS, WebKitGTK+, EWebKit (EFL), QtWebKit, Chrome/Chromium..
- Currently official ports: OS X/iOS, WebKitGTK+, WPE (in process)

Chromium

- Vertical solution, from low-level graphics to UX
- Engineered to power Chrome and Chrome OS
 - Embedding, portability use cases are secondary
- Designed to minimize external dependencies
 - External deps are managed by the project build system
 - Versions pinned, included in the build process
 - In general, not designed to exchange subsystems

Chromium ecosystem

- External projects filling the gaps
- **CEF**: Chromium Embedded Framework
 - Embed web content in applications
 - Hybrid applications
- **Electron**
 - Web application runtime

Wayland support in Chromium

Ozone-Wayland project

- Most complete Wayland implementation yet
- Developed mainly by Intel
- Downstream project at [github](#)
- Currently in maintenance mode
 - No more active development
 - Latest supported version is 53

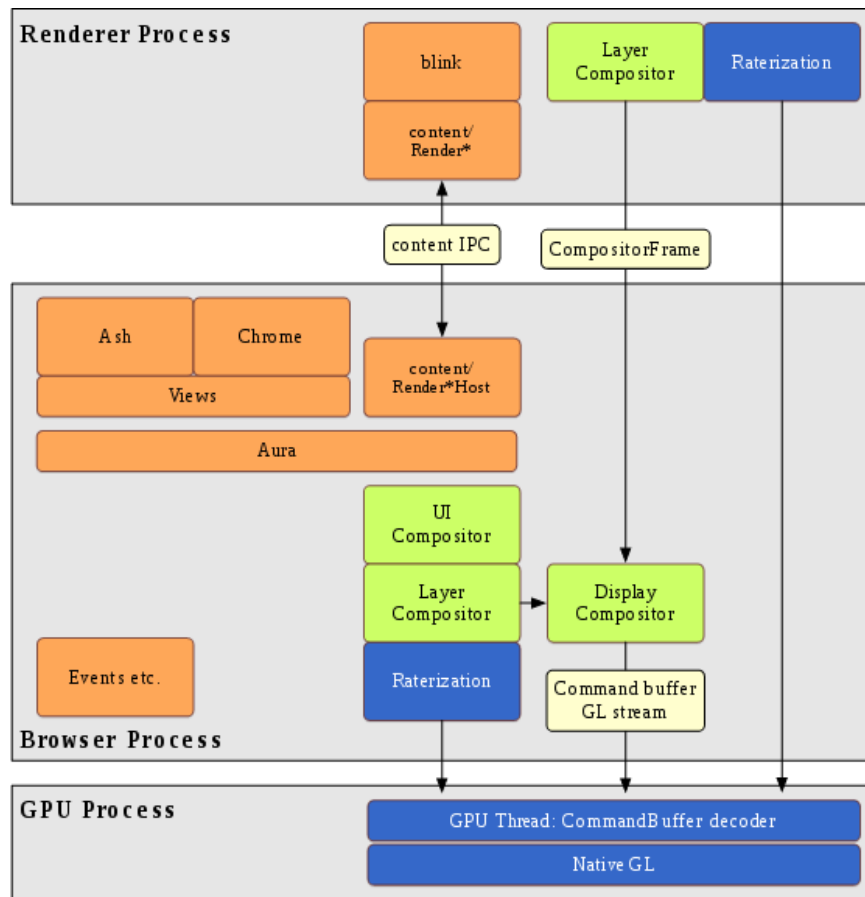
Upstream Wayland implementation

- Preliminary state
- Following Chromium master
- Not high priority at Google → Igalia taking the lead of the implementation
- Framed in a bigger effort to re-architect Chromium

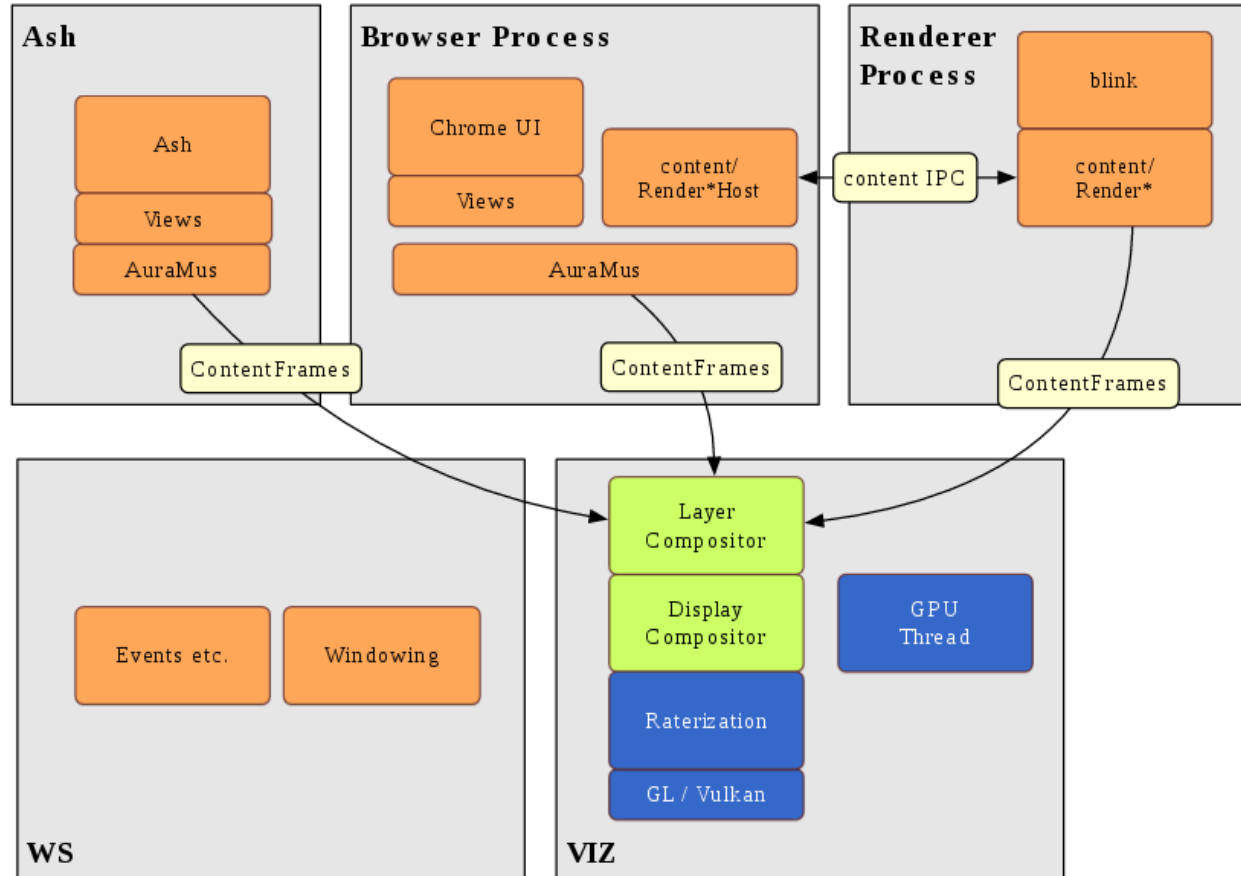
Upstream Wayland implementation

- Why not merge Intel's code upstream?
 - Blocker: architecture differences
 - Intel's code doesn't align with Chromium mid-term architecture plans
 - Approach: implement basic bits following new architecture, then migrate features and code as possible

Chromium architecture now



Long-term plan: service-based



WPE: support for Wayland and other backends
in WebKit

WPE

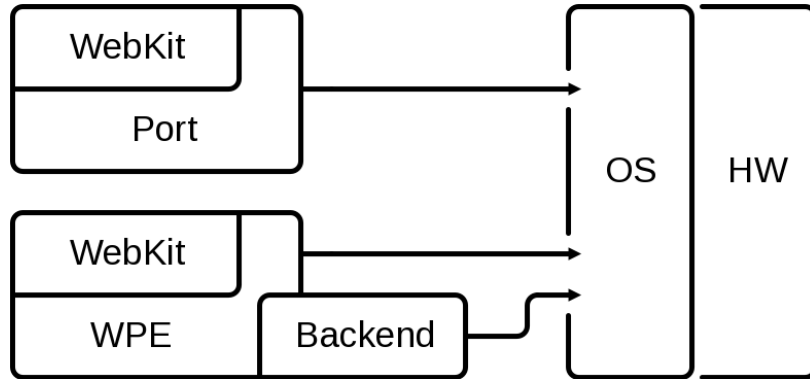
- *Web Platform for Embedded*
 - Previously known as *WebKit For Wayland*
- Designed for simplicity and performance
- Supports Wayland and also other backends
- Great performance in low-end hardware
- Currently in review process to become an official WebKit port

WPE use cases

- Strong multimedia capabilities
- Very lightweight, low hardware requirements
 - Raspberry Pi 1/zero
- Well received in set-top-box market
- Official part of [RDK](#) stack

WPE backends

- Backends use platform-specific libraries to implement drawing and window management
- Can be independently developed



Other options

Other options with Wayland support

- WebKitGTK+
 - Wayland through the GTK+ toolkit support
- QtWebEngine
 - Chromium-based
 - Wayland through the Qt toolkit support

Conclusions

- Chromium
 - Full-featured browser and fast-paced development
 - Increased cost of maintenance
- Intel's Ozone-Wayland
 - Available for short-term goals
 - Transition to upstream Chromium implementation as soon as it's ready
- QtWebEngine
 - Ideal to integrate with Qt applications
 - Slower upgrade pace, linked to Qt releases

Conclusions

- WPE
 - Lightweight
 - Customizable graphic backends
 - Stable APIs, designed for third-parties to build products upon
 - No browser features, it's a web engine
- WebKitGTK+
 - Stable and also lightweight
 - Availability linked to the GTK+ toolkit



igalia



GENIVI[®]



This work is licensed under a Creative Commons Attribution-Share Alike 4.0 (CC BY-SA 4.0)
GENIVI is a registered trademark of the GENIVI Alliance in the USA and other countries
GENIVI logo © GENIVI Alliance 2017.
Contents © Igalia, S.L. 2017.